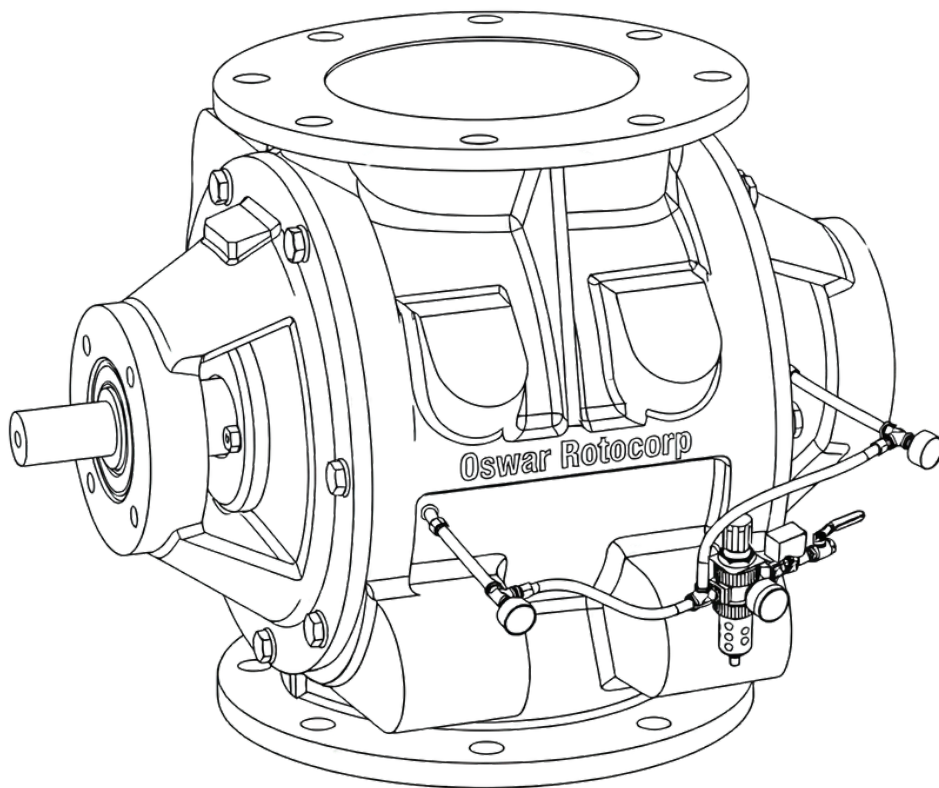



POWER & BOILER INDUSTRY

ENGINEERED FLOW CONTROL FOR
ASH HANDLING & BOILER SYSTEMS



OSWAR
rotocorp



Oswar Rotocorp provides specialized flow control and material handling solutions designed for thermal power plants and industrial boiler systems. Operating under high temperatures, abrasive ash conditions, and continuous-duty cycles, our equipment ensures dependable performance in critical plant operations.

From fly ash discharge to bottom ash handling and pneumatic conveying systems, our engineered solutions support safe, controlled material transfer while maintaining airlock integrity and system efficiency.

KEY ADVANTAGES

FLY ASH
HANDLING
SYSTEMS

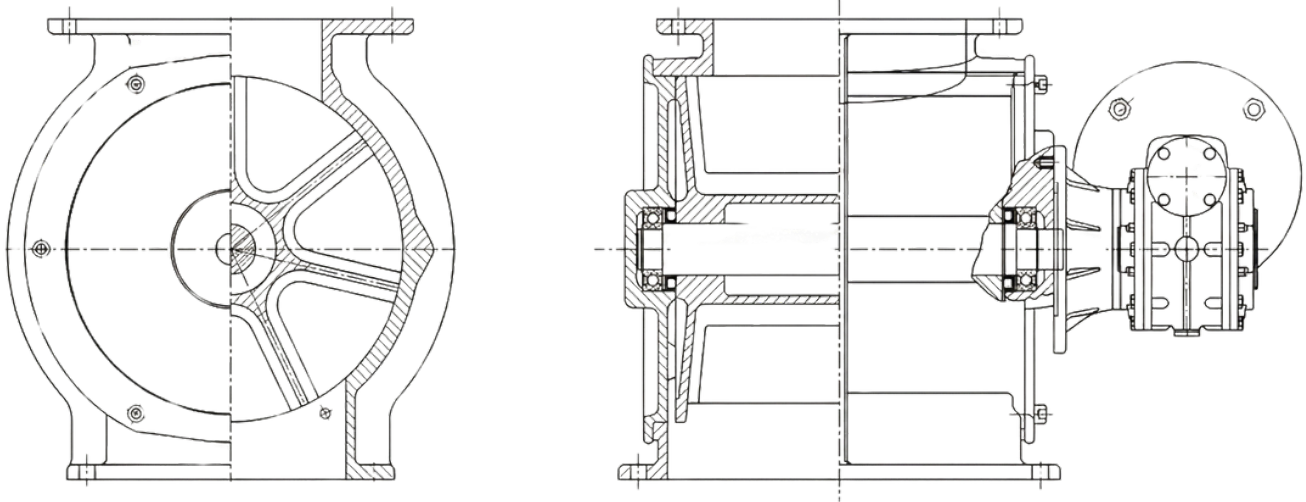
BOTTOM ASH
DISCHARGE
SYSTEMS

BOILER HOPPER
DISCHARGE

DUST
COLLECTION
SYSTEMS

ENGINEERED FOR HEAT, ABRASION & CONTINUOUS OPERATION

Power and boiler applications demand equipment capable of handling high temperatures and abrasive ash materials. Our solutions are constructed with reinforced housings, wear-resistant components, and optimized sealing arrangements to ensure long-term durability. Precision-machined rotary assemblies provide stable discharge and effective airlock performance in ash conveying systems. Heavy-duty bearings, thermal-resistant seals, and abrasion-resistant linings are integrated to withstand harsh operating environments.



ENGINEERING FEATURES

- Heavy-Duty Rotary Valves for Ash Handling
- High-Temperature Rotary Valves for Boiler Applications
- Pneumatic Pressure Rotary Valves for Ash Conveying
- Slide Gate Valves for Hopper Isolation
- Diverter Valves for Multi-Line Ash Routing
- Flap Valves / Gravity Gates for Dust Systems

ENHANCING PLANT RELIABILITY & EFFICIENCY

- **Improved Ash Discharge Efficiency**
- **Reduced Air Leakage in Pneumatic Systems**
- **High-Temperature Durability**
- **Enhanced Equipment Life**
- **Lower Maintenance Downtime**
- **Reliable Performance Under Continuous Load**



OSWAR

rotocorp

Corporate Office

Jaipur, Rajasthan India
Nagpur, Maharashtra India

Sales Inquiries

info@oswarrotocorp.com

Helpline

[+44 7917 128505](tel:+447917128505) | +91 77422 36474

Copyright © 2026 OSWAR ROTOCORP. All Rights Reserved. OSWAR® is a registered trademark of **OSWAR ROTOCORP**. This brochure makes no offers, representations or warranties (express or implied), and information and data contained in this brochure are for general reference only and may change at any time.